



## A Simple Solution to Engine Brake Noise- Silent Partner™



E X H A U S T

Silent Partner is the first muffler-type product that effectively reduces engine braking noise to the equivalent level of muffled acceleration noise. Yet, Silent Partner does not increase backpressure or reduce engine braking effectiveness. And, Silent Partner is a direct replacement for conventional mufflers.

Donaldson®



# An easy retrofit solution for Engine brake noise

## A Sound Solution to a Growing Problem

As concern over environmental noise grows, so have federal, state, and local regulations to limit the overall noise produced by trucks. While the industry has done a good job of minimizing acceleration noise, little has been done in the past to limit the loud, harsh, rasping noise made during engine braking. In response, a growing number of municipalities are banning engine brake use.

## Long life warranty for lasting value

- Stainless steel models - 1 Million miles / 8 years
- Aluminized steel models - 500,000 miles / 4 years

## Designed to reduce engine brake noise

- Developed in conjunction with Jacobs Vehicle Systems
- Reduces engine brake noise up to 75% compared to a standard muffler

## Silences engine brake "bark"

- Reduces driver fatigue
- Improves trucking industry image

## Heavy-duty construction

- Available in 409 aluminized stainless steel or aluminized steel

## Direct retrofit

- Easy installation, can be applied on existing trucks

## No increase in back pressure

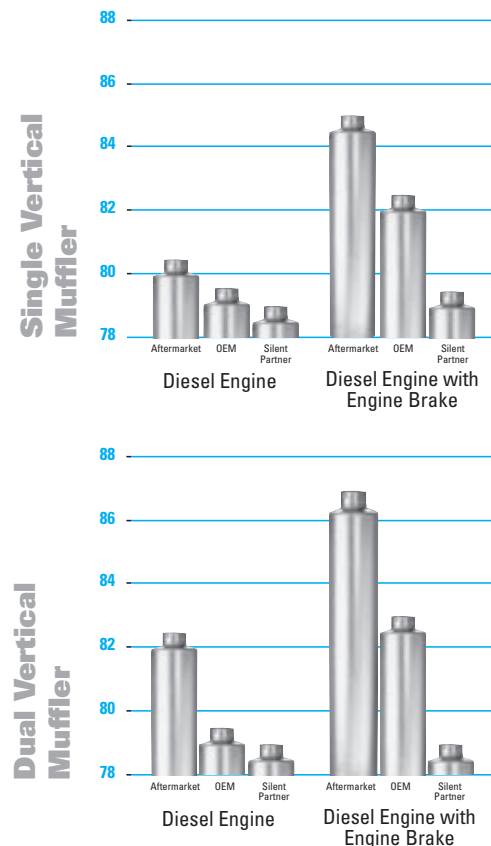
- No reduction in engine power
- Maintains fuel economy

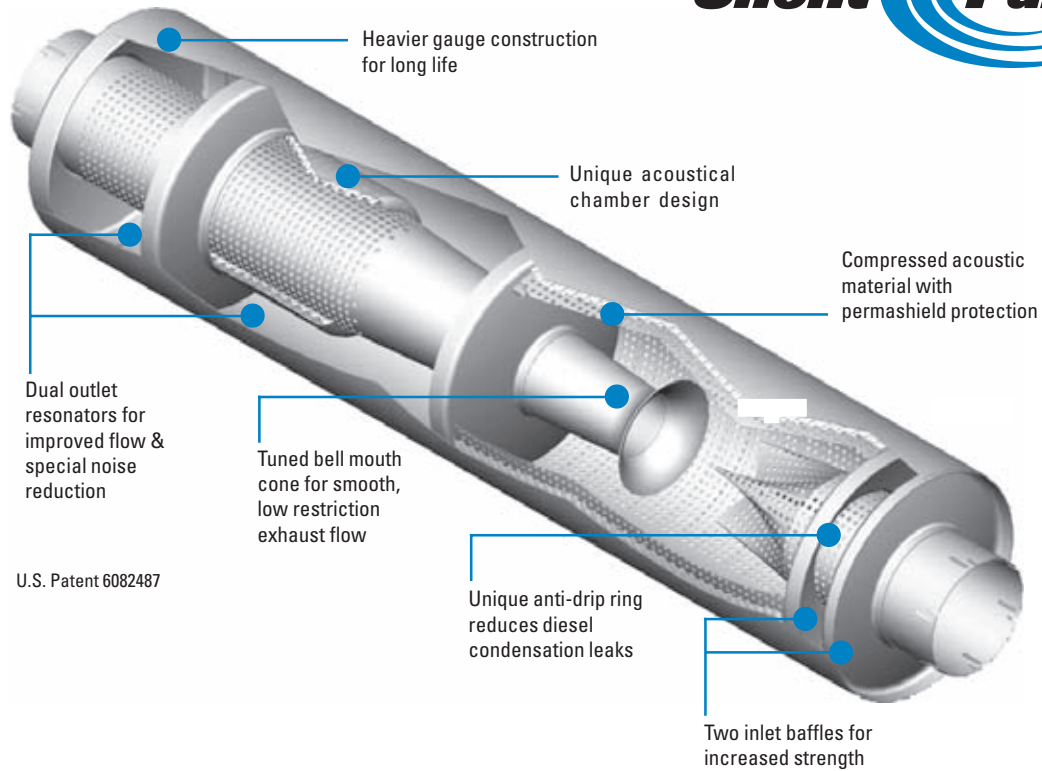
## Superior Power

Unlike exhaust valves of the past, Silent Partner silences engine exhaust noise while maintaining backpressure levels compatible with the engine manufacturers' requirements. That means no sacrifice in the performance capabilities of the truck, engine, or the engine brake.

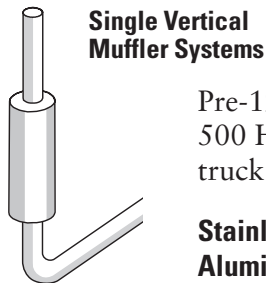
Inside each Silent Partner, finely tuned components are precisely located in order to address specific frequencies. These components reduce noise and, at the same time, shape the noise profile of the engine brake without increasing backpressure or impacting fuel economy.

## Overall Truck Noise Drive-By Test Results (SAE J366)



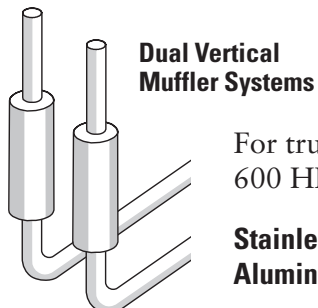


## Silent Partner™ Engine Applications



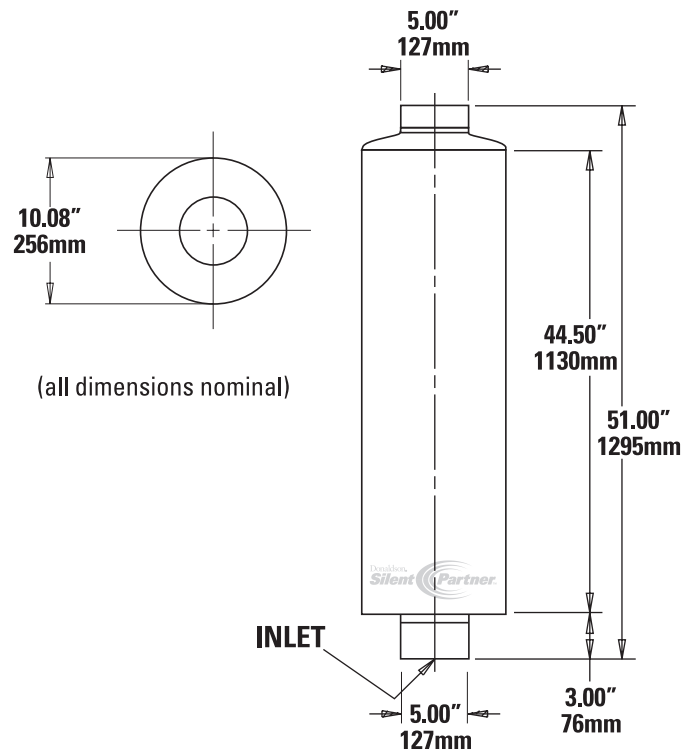
Pre-1999 truck engines up to 500 HP or 1999 and newer truck engines up to 435 HP

**Stainless Steel - M101158**  
**Aluminized Steel - M101181**



For truck engines up to 600 HP

**Stainless Steel - M101159**  
**Aluminized Steel - M101182**



## Cross Reference

Any of the standard mufflers shown in the table on the right can be replaced with one of our Silent Partner™ Exhaust and Engine Brake Silencers. All models are for vertical exhaust systems only.

For retrofit installation, new clamps and brackets should be used and mounting masts should be examined for integrity.

Proper installation of the Silent Partner™ Exhaust and Engine Brake Silencer requires the use of stainless steel clamps.

For maximum corrosion resistance, use Donaldson clamps, brackets and flex.



**Stepped Pre-formed SealClamp®**  
Stainless Part No. X007785



**Multi-Grip™ U-Bolt**  
Aluminized Steel  
Part No. M001999



.018" Stainless

**Long-Life Cut to Length Flex**

Length	Part No.
15" (381mm)	P224515
18" (457mm)	P224518
21" (533mm)	P224521

## Aftermarket Muffler Cross Reference

AP Parts	Dynaflex	Riker
3699	87500130	10020
3722	Ex Air	10028
3723	551045	10928
Acrafit	Nelson	Stemco
M10130	86130M	1901107
M10196	86195M	1901352
M10531	86196M	1901353
M10682	86531M	1909872
Donaldson	86533M	1909892
M100465	86682M	Walker
M100580		22920
M100582		22924
		22925

## OEM Cross Reference

	Donaldson	Exh. System	Material
Freightliner			
M101180	M101180*	Single	Stainless
M101161	M101161*	Dual	Stainless
M101175	M101175	Single	Stainless
M101176	M101076	Dual	Stainless
Volvo			
20352547	M101181	Single	Stainless

\* Overall length 53" (1346mm). Outlet is 2" (51mm) longer than Donaldson Silent Partner models.



# Donaldson®

Donaldson Company, Inc.  
Minneapolis, MN  
55440-1299

www.donaldson.com

© 2002  
Printed in the U.S.A.  
Equal Opportunity Employer  
Donaldson Company, Inc. reserves the right to change or discontinue any model or specification at any time and without notice.

**United States & Canada**  
Tel: 800-374-1374  
www.donaldson-exhaust.com

**Latin America & Caribbean**  
Tel: 952-887-3149

**Mexico**  
Tel: 52-55-5557-8128

**Italy**  
Tel: 39-0-386-30211

**Germany**  
Tel: 492-594-7810

**Belgium**  
Tel: 32-16-38-3811

**United Kingdom**  
Tel: 44-1482-835-213

**Hong Kong**  
Tel: 852-2-402-2830

**Singapore**  
Tel: 65-6546-4400

**South Africa**  
Tel: 27-21-530-2900

**Australia**  
Tel: 61-2-4352-6677